

CO GO

EN

Supplement to assembly instructions FS100



Contents

General information	3
Safety instructions	4
Chain drive	5
Manual gear shifting	6
Legal warranty / guarantee	7
Service	7
Imprint / Publisher	8

The present assembly instructions is the translation of the original assembly instructions.

General information

The FS100 and FS200 differ in a few ways.

The FS100 transmits power to the rear wheel using a bicycle chain, while the FS200 uses a toothed belt. The gear ratio of the rear wheel hub is manually set using the twist grip on the FS100, whereas on the FS200, it is set automatically.

Apart from these differences, the FS200 manual applies to the FS100.



Note

The accessories for the FS200 can be used in the same way for FS100.

Safety notices

Take special note of the following symbols



Warning

This symbol indicates a hazardous situation which, if not avoided or precautions not taken, may result in death or serious injury.



Notice

This symbol warns you of misconduct that is not related to physical injury but results in damage to property and the environment.



Caution

This symbol indicates a hazardous situation which, if not avoided or precautions not taken, may result in minor or moderate injury.



Safety instruction

This symbol indicates specific safety instructions and information on the handling of the product or the part of the manual to which particular attention should be paid.

The possible consequences described are not repeated in this original assembly instruction when these symbols appear.

Chain drive

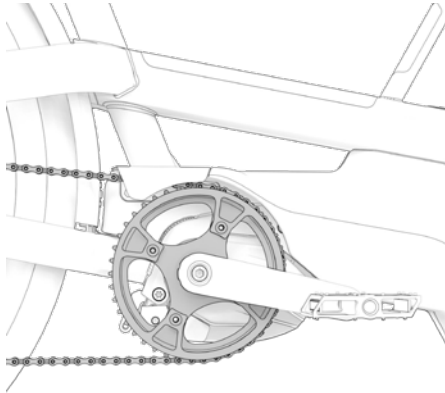


Fig. 1



Warning

When servicing and maintaining the chain, it is important to switch off the electrical assistance to avoid any risk of injury from unexpected engagement of the drive. Additionally, there is a risk of jamming where the chain runs onto the chainring or chain sprocket. (Fig. 1).

Bicycle chains are considered wear items. The chain's service life depends on the loads during operation, environmental conditions, and maintenance.

To clean a dirty chain, use a dry cloth. Regularly apply chain oil or chain wax from a specialist dealer, approximately every 200 kilometres and after every ride in the rain. This reduces friction and prevents corrosion.



Warning

Chain oil, chain wax, and other lubricants should not come into contact with brake discs or brake pads.

The FS100 comes with a chain tensioner, eliminating the need for manual adjustments. Your Ca Go dealer has precise measuring devices to check the chain wear.

An expert should replace the chain using the correct tools and chain.

Manual gear shifting

Gears are used to adjust the gear ratio according to the terrain and desired riding speed. A low gear ratio allows for moderate effort when riding up steep hills, but requires faster pedalling. Conversely, a high gear ratio is suitable for downhill riding, allowing for covering more distance with each turn of the crank and achieving higher speeds.

To set the gear ratio, turn the right-hand handle. An indicator on the handle (Fig. 2) shows the gear ratio for uphill travel or flat terrain.

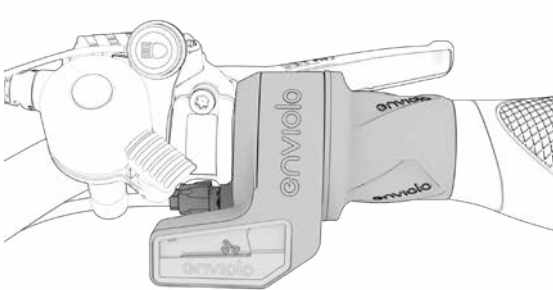


Fig. 2



Caution

Begin by practicing shifting gears in a traffic-free area without a load or passengers to familiarize yourself with the process.



Safety instruction

Before your first ride, make sure to read and understand the operating instructions provided by the gearshift manufacturer. Additional information can be found at <https://enviolo.com>.

Statutory warranty / guarantee

The legal statutory warranty applies. You can find more details on the warranty on our website: www.cagobike.com/en/warranty

Export to the USA and Canada is not permitted (product liability)!

Service

If you have questions concerning this user manual, please contact your Ca Go dealer or your Ca Go service team.



Published by:

Ca Go Bike GmbH

Am Autobahnkreuz 7

56072 Koblenz

Deutschland

+49 261 914090-600

info@cagobike.com

www.cagobike.com

Managing directors: Franc Arnold

Company register

Court of record: District Court Koblenz / register no.: HRB 26998 / VAT Id no. DE326206636

Ca Go Bike GmbH reserves the right to change product specifications without prior notice.

Typographical errors, mistakes and modifications reserved. Version of 02/2024

©Reproduction, reprint and translation, as well as any use for economic purposes (including as extracts, in print or electronic form) without prior written approval is forbidden.